



Figure 2

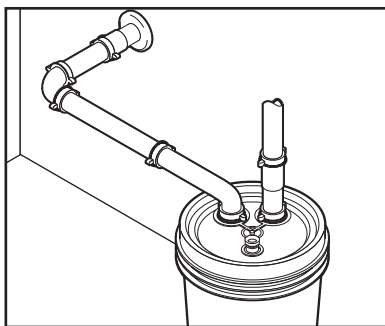


Figure 3

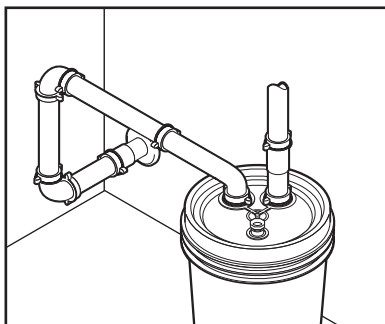


Figure 4

INSTALLING THE WALL WASTE PIPE

If the wall waste outlet is vertically in line with the wall waste container outlet as shown in Figure 2:

1. Place the 90° extended elbow (part #3) into the wall waste outlet and secure it with the existing nut and washer. Slide the elbow inward or outward until the elbow connection lines up with the wall waste outlet on the container below.
2. Measure the distance between part #3 and the top of the threads on the wall waste container outlet. Cut the 16" double end slip joint extension tube (part #4) to a length 1" longer than the measured distance.
3. Place the cut end of the extension tube into the wall waste container outlet. Slide it up and attach it to part #3 with the nut and washer provided.

If the wall waste outlet is **NOT** vertically in line with the wall waste container outlet as shown in Figures 3–4):

1. Place the 6" single flange tailpiece (part #7) into the wall waste outlet and secure it with the existing nut and washer.
2. Depending on your specific plumbing configuration, use a combination of the remaining installation parts to connect the wall waste outlet tailpiece to the wall waste container outlet. Some rotation of the container and cutting of parts may be necessary.
3. For best results, work back from the wall waste outlet to the container, finally connecting to the waste wall container outlet with the 90° extended elbow (part #3). Use the 16" double end slip joint extension tube (part #4) to reach longer distances. If necessary, use the remainder of part #1 or part #4 cut for a prior connection. Additional 1½" plastic components are readily available at any hardware supply store, or an additional installation kit may be ordered from your dealer (IndiGreen Product #10410).

CHANGING YOUR TRAP

Be sure to have a spare refill container ready at all times. Check the sediment level in your Gleco Trap HV weekly, and change the trap when residue accumulates to within 4" of the top. Follow these steps to change out your Gleco Trap HV:

1. Loosen the air release plug with pliers if necessary, allowing the water to drain from the pipes above the trap into the container. Wait one minute for the pipes to drain completely, and then replace and tighten the plug.
2. Loosen the two pipe connections on the lid of the container and lift the tailpieces clear of the lid. Carefully slide the container away from the drainage pipes.
3. Seal both threaded outlets of the full container with the plastic caps provided, and discard the entire container in accordance with applicable regulations.
4. Reinstall the replacement container using the same pipes. Hand-tighten the outlet connections and check that the air-release plug is tightened securely. Run water into sink for one minute and inspect for leaks at all connections.

Note: Rinsing two spoonfuls of granulated chlorine powder (available at any pool supply store) into your trap once per week will help maintain sanitary trap conditions.